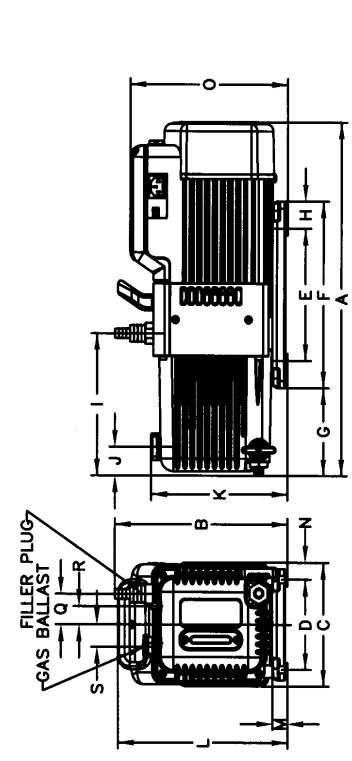
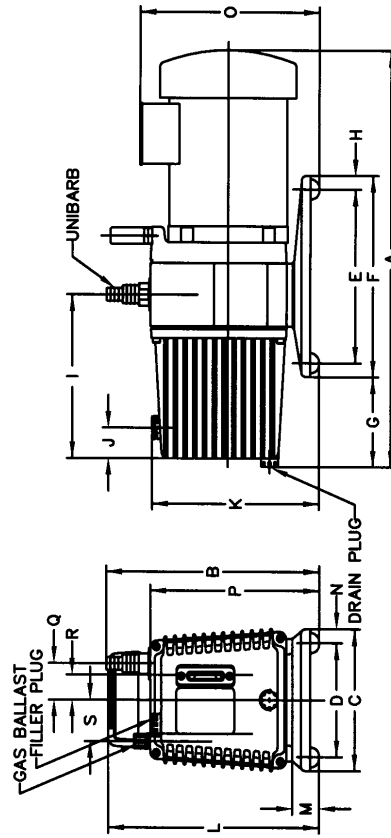


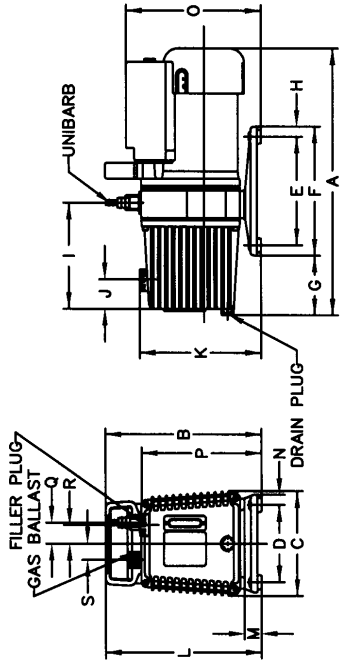
Dimensional Drawings



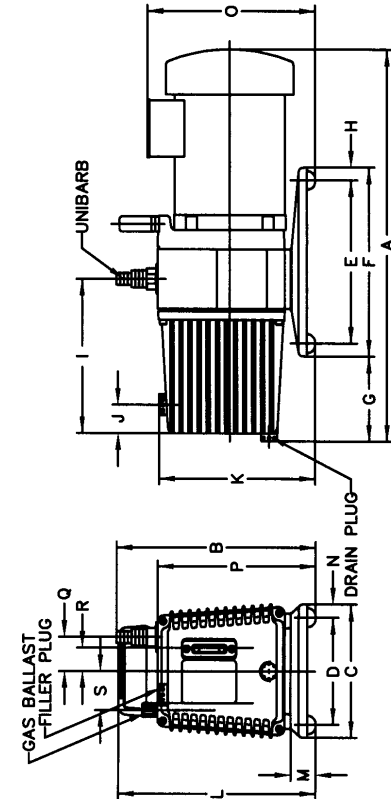
8907/8912/8917



8925



8905



8920

Pump Model	A	B	C	D	E	F	G	H	I	J	K	L	M	N	O	P	Q	R	S
8905A	14.13	8.70	5.52	4.07	5.73	6.81	3.16	0.54	5.58	1.56	6.76	8.70	0.95	0.54	7.50	6.68	1.10	0.98	0.85
8905C-02	14.13	8.70	5.52	4.07	5.73	6.81	3.16	0.54	5.58	1.56	6.76	8.70	0.95	0.54	7.50	6.68	1.10	0.98	0.85
8907A	18.54	9.60	6.54	4.76	7.00	9.88	4.69	1.44	7.56	1.54	7.60	9.45	0.87	0.89	8.78	-	1.61	0.94	1.18
8912A	18.54	9.60	6.54	4.76	7.00	9.88	4.69	1.44	7.56	1.54	7.60	9.45	0.87	0.89	8.78	-	1.61	0.94	1.18
8917A	18.54	9.60	6.54	4.76	7.00	9.88	4.69	1.44	7.56	1.54	7.60	9.45	0.87	0.89	8.78	-	1.61	0.94	1.18
8920A	21.00	10.40	6.14	3.86	8.90	10.40	-	0.75	7.85	1.60	8.60	10.30	1.00	1.10	9.40	8.20	1.82	1.25	2.07
8920C-02	21.00	10.40	6.14	3.86	8.90	10.40	-	0.75	7.85	1.60	8.60	10.30	1.00	1.10	9.40	8.20	1.82	1.25	2.07
8925A	20.40	10.40	6.14	3.86	8.90	10.40	-	0.75	7.85	1.60	8.60	10.30	1.00	1.10	9.40	8.20	1.82	1.25	2.07
8925C-02	20.40	10.40	6.14	3.86	8.90	10.40	-	0.75	7.85	1.60	8.60	10.30	1.00	1.10	9.40	8.20	1.82	1.25	2.07